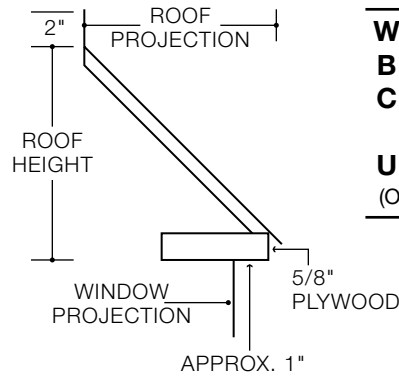


APPROX. WINDOW PROJECT.	APPROX. ROOF HEIGHT		APPROX. WINDOW PROJECT.	APPROX. ROOF HEIGHT	
	ISLANDER	EMPIRE & LIBERTY		ISLANDER	EMPIRE & LIBERTY
6	6 1/8	9 3/4	17	13 3/4	22 7/8
7	6 7/8	11	18	14 1/2	24
8	7 1/2	12	19	15 1/8	25 1/4
9	8 1/4	13 1/4	20	15 7/8	26 1/2
10	9	14 1/2	21	16 1/2	25 1/2
11	9 5/8	15 5/8	22	17 1/8	24 3/8
12	10 3/8	16 7/8	23	17 7/8	*
13	11	18	24	18 1/2	*
14	11 5/8	19 1/4	25	19 1/4	*
15	12 3/8	20 1/2	26	21 5/8	*
16	13	21 5/8	*Call for availability		



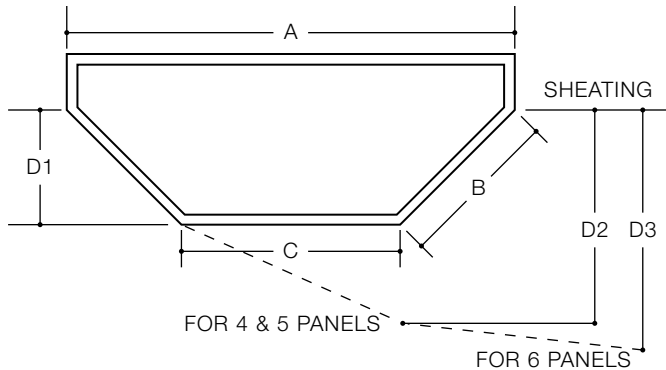
FINISH	
W	White Aluminum Clad
B	Bronze Aluminum Clad
C	Solid 16oz. Copper Clad 20oz. Liberty
U	Unclad Plywood
(Over 30 premium colors available)	

HOW TO ORDER

FOR NAME BRANDS: Andersen, Hurd, Marvin, Pella, etc.

1. Model # of window _____.
 2. The window is Clad or Primewood.
 3. Proof-Roof Style: _____, Finish **W B C U**
 4. The window is being installed on Sheathing or Masonry**
 5. If custom height is needed - overall height required _____.
- ** See Masonry Application Below

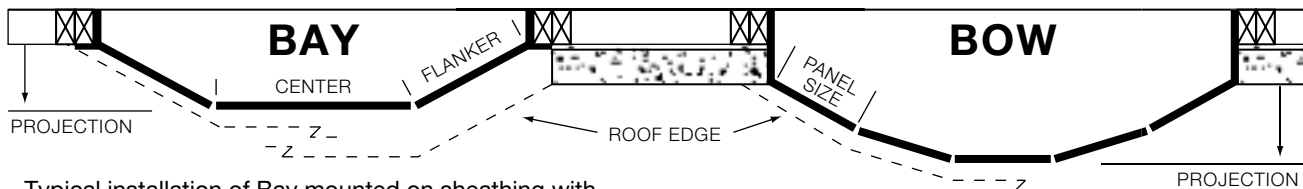
FOR CUSTOM MANUFACTURED BAY OR BOW WINDOWS:



MANUFACTURER:	BAY	BOW	
		4-5 PANEL	6 PANEL
A. Overall Width			
B. Flanker			
C. Center			
D. Projection from Sheathing	PROJECTION POINT		
	D1	D2	D3

FOR MASONRY APPLICATION:

1. The window is being installed:
 - A** with Nailing flanges set-back to sheathing.
 - B** with Nailing flanges flush with masonry.
2. If A, window set-back is _____ (generally for brick 4 1/4", for stucco 1").
3. Masonry opening from left to right _____.



A. Typical installation of Bay mounted on sheathing with 4 1/4" set-back to masonry. (needs masonry package)

B. Typical installation of Bow mounted flush to brick veneer. (needs counter flashing only)

We carry many stock units in inventory.
(check with your dealer)

For product information call:

1-800-385-7081 • 631-694-7663

www.proofroof.com

email: info@proofroof.com

PROOFTM
INDUSTRIES, INC.

242 ROUTE 110 • FARMINGDALE, NY 11735

THE PROOF IS IN THE ROOFTM

Specifications For: _____

Quote #: _____

Name: _____

Email: _____

Phone: _____

U.S. Patented

©